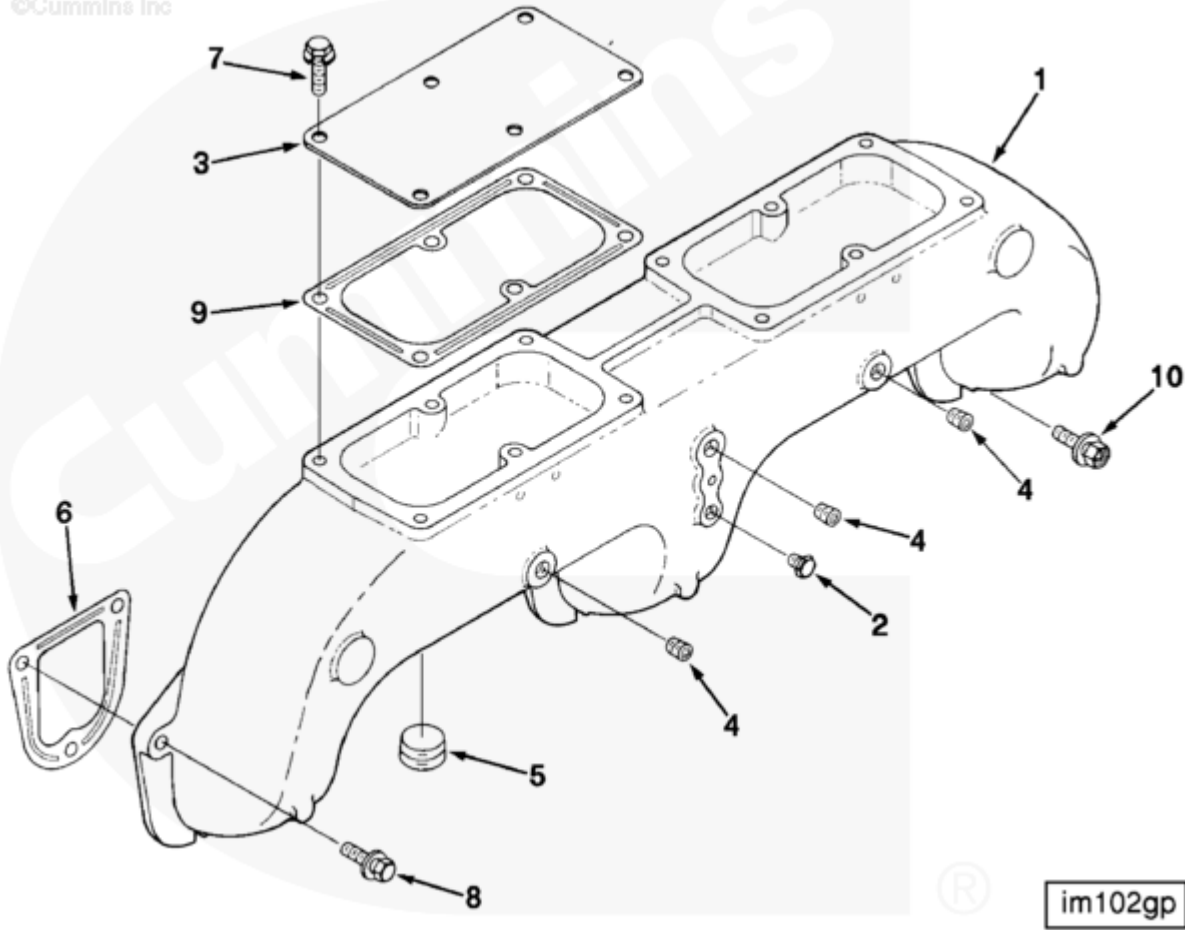




Parts Catalog - Option Detail

Electronic Parts Catalog - Option Detail				
Option	Group	Graphic	Film Card	Date
IM1063	10.01	im102gp	F	15-OCT-92
Engines	NH/NT 855, NT495, NT743, NTA855 N106			

©Cummins Inc



[SMALL](#) | [MEDIUM](#) | [LARGE](#)

Cart	Ref No	Part Number	Part Description	Required	Remarks
View My Cart					
		IM1063	Air Intake Manifold		Cast aluminum manifold with...(More)
					inlet at top rear and cover
					plate at top front. Has
					tapped holes for starting
					fluid nozzle when used on

					naturally aspirated engines.
					Used with high side mount or
					with top mount turbochargers
					or with any naturally
					aspirated inlet connection.
					Used with engine mounted air
					cleaners on naturally
					aspirated model.
<input type="checkbox"/>	1	141761	Air Intake Manifold	1	
<input type="checkbox"/>	2	70295	Pipe Plug	1	
<input type="checkbox"/>	3	144257	Cover Plate	1	
<input type="checkbox"/>	4	3008466	Pipe Plug	3	1/4 NPT.
<input type="checkbox"/>	5	3008470	Pipe Plug	1	1 NPT.
<input type="checkbox"/>	6	3008591	Intake Manifold Gasket	3	
<input type="checkbox"/>	7	3010595	Captive Washer Cap Screw	6	3/8 - 16 X 1 in.
<input type="checkbox"/>	8	3011715	Captive Washer Cap Screw	6	3/8 - 16 X 1 3/16 in.
<input type="checkbox"/>	9	3019227	Intake Manifold Gasket	1	
<input type="checkbox"/>	10	3051427	Captive Washer Cap Screw	3	3/8 - 16 X 1 5/16 in.